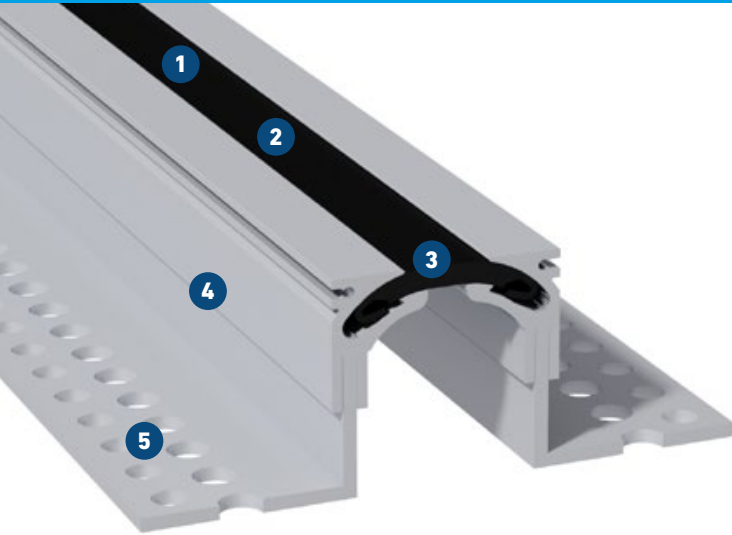


FGH 65

THE EXPANSION JOINT COVER FOR AREAS WITH STRICT HYGIENIC REQUIREMENTS AND HIGH AESTHETIC DEMANDS

MIGUTEC

JOINT COVERS FOR EXPANSION JOINTS



- 1 Ultra-smooth insert for residue-free cleaning**
Thus optimal sterility and physiologically safe
- 2 Seamless, symmetrical visible surface**
Hard-wear special insert for smoother, low-noise transit
- 3 Innovative solution**
Suitable for hospital-typical vehicles, such as hospital beds and food trolleys
- 4 High load capacity due to sturdy construction**
Solid aluminium brackets
- 5 Secure fixing due to MultiHole mounting bracket**
Flexible anchoring and excellent bond

Ideal for use with various types of floor covering

| Expansion joint cover | Joint width $b_f \text{ max}$ [mm] | Total movement Δb_f [mm] | Visible width b_s [mm] | Joint width total b_t [mm] | Joint height h [mm] | Load bearing capacity | |
|-----------------------|--|--|--------------------------------|------------------------------------|-----------------------------|-----------------------|------|
| | | | | | | [kN] | [kN] |
| FGH 65/38 | 50 | 20 (± 10) | 65 | 148 | 38 | 30 | 300 |
| FGH 65/50 | 50 | 20 (± 10) | 65 | 171 | 50 | 30 | 300 |
| FGH 65/60 | 50 | 20 (± 10) | 65 | 171 | 60 | 30 | 300 |
| FGH 65/70 | 50 | 20 (± 10) | 65 | 171 | 70 | 30 | 300 |

No continuous use

All information on load bearing capacity does only apply to non-floating floors.
For installation in asphalt, please ask for our technical advice.

Production length: 3 m

Standard colors: black, grey

Larger installation heights on request.

