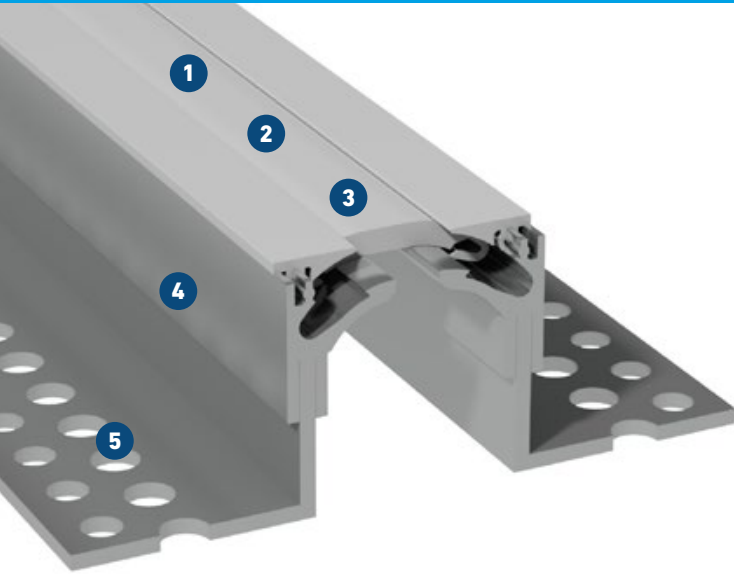


# FGH 2.0



EXPANSION JOINT COVERS WITH HYGIENIC REQUIREMENTS

# MIGUTEC

JOINT COVERS FOR EXPANSION JOINTS



- 1 Ultra-smooth insert for residue-free cleaning**  
Ensures optimal sterility and is physiologically safe
- 2 Seamless, symmetrical visible surface**  
Hard-wear special insert for smoother, low-noise transit
- 3 New: Innovative clip design**  
Insert is fully replaceable over entire length of expansion joint cover
- 4 Secure fixing due to MultiHole mounting bracket**  
Flexible anchoring and excellent bond
- 5 Innovative solution**  
Suitable for hospital-typical vehicles, such as hospital beds and food trolleys

Expansion joint cover	Joint width	Total movement	Visible width	Joint width total	Joint height	Load bearing capacity  [kN]	Load bearing capacity*  [kN]
	$b_f \text{ max}$ [mm]	$\Delta b_f$ [mm]	$b_s$ [mm]	$b_t$ [mm]	$h$ [mm]		
FGH2 65/30	50	20 ( $\pm 10$ )	65	148	30	30	
FGH2 65/38	50	20 ( $\pm 10$ )	65	148	38	30	
FGH2 65/50	50	20 ( $\pm 10$ )	65	171	50	30	
FGH2 65/60	50	20 ( $\pm 10$ )	65	171	60	30	
FGH2 65/70	50	20 ( $\pm 10$ )	65	171	70	30	

No continuous use

All information on load bearing capacity does only apply to non-floating floors.

**Standard colors:** black, grey

**Production length:** 3 m

Larger installation heights on request.

