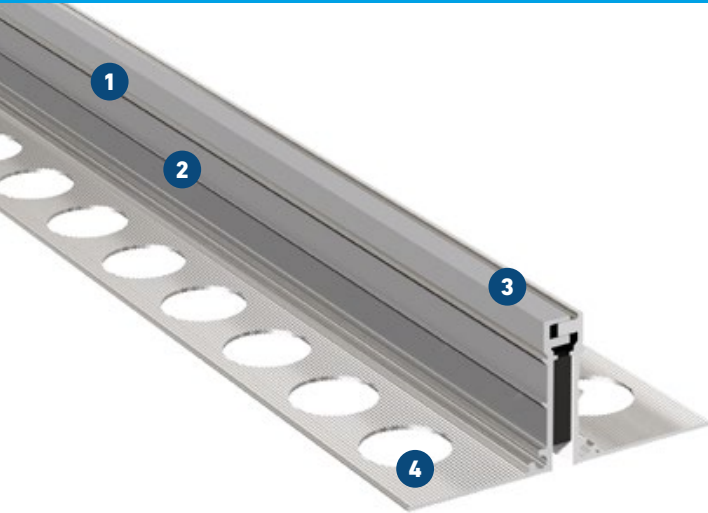


# ESF 10 AL

FOR CONTRACTION JOINTS IN FLOORS WITH HIGH LOAD CAPACITY

# MIGUTEC

JOINT COVERS FOR EXPANSION JOINTS



- 1 Solid all-metal expansion joint cover**  
Hard wearing, maintenance free, long lasting
- 2 High load capacity**  
Solid aluminium brackets, suitable for hard plastic tyres
- 3 Small visible surface**  
Slim design, visible width of cover 10 mm only
- 4 MultiHole mounting bracket**  
for secure fixing

### Now available Anodized!

This expansion joint cover is on offer in anodized colours as of now. Available as standard in the four colours shown below, we will be pleased to offer you further colours upon request

Expansion joint cover	Joint width $b_f \text{ max}$ [mm]	Total movement $\Delta b_f$ [mm]	Visible width $b_s$ [mm]	Joint width total $b_t$ [mm]	Joint height $h$ [mm]	Load bearing capacity  [kN]	Load bearing capacity  [kN]	Load bearing capacity  [kN]	Load bearing capacity  solid plastic tyres [kg/mm]
ESF 10/12 AL	10	4 ( $\pm 2$ )	10	77	12		600	130	6,5
ESF 10/15 AL	10	4 ( $\pm 2$ )	10	77	15		600	130	6,5
ESF 10/17 AL	10	4 ( $\pm 2$ )	10	77	17		600	130	6,5
ESF 10/25 AL	10	4 ( $\pm 2$ )	10	77	25		600	130	6,5
ESF 10/35 AL	10	4 ( $\pm 2$ )	10	77	35		600	130	6,5
ESF 10/40 AL	10	4 ( $\pm 2$ )	10	77	40		600	130	6,5
ESF 10/50 AL	10	4 ( $\pm 2$ )	10	77	50		600	130	6,5
ESF 10/60 AL	10	4 ( $\pm 2$ )	10	77	60		600	130	6,5

All information on load bearing capacity does only apply to non-floating floors.  
Further installation heights on request.

**Production length:** 4 m

### Applicable for anodized expansion joint covers:

By anodizing the surface is hardened, but scratches can not be ruled out under mechanical stress of the profiles.

Slight color and / or gloss deviations between different batches or deliveries do not constitute a reason for complaint.

The processing is carried out in accordance with DIN 17611 and the Qualanod (Quality Label for Sulphuric Acid-Based Anodizing of Aluminium) regulations for the anodization of aluminum.

The expansion joint covers must be cleaned and maintained in accordance with the specifications of the Qualanod and the leaflet A5 of the aluminum center.

We are happy to advise you.

### Standard colors based on EURAS color fans:

C 0 Nature C 31 Light C 32 Light bronze

Other colors on request.

