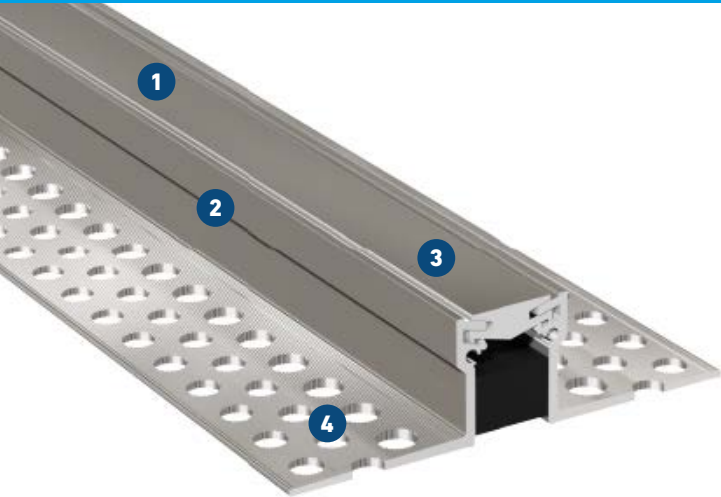


ESF 37 AL

FOR CONTRACTION JOINTS IN FLOORS WITH HIGH LOAD CAPACITY

MIGUTEC

JOINT COVERS FOR EXPANSION JOINTS



- 1 For big contraction joints**
with relative large movement capacity
- 2 Solid all-metal expansion joint cover**
Hard wearing, maintenance free, long lasting
- 3 High load capacity**
Solid aluminium brackets, suitable for hard plastic tyres
- 4 MultiHole mounting bracket**
for secure fixing

| Expansion joint cover | Joint width $b_f \text{ max}$ [mm] | Total movement Δb_f [mm] | Visible width b_s [mm] | Joint width total b_t [mm] | Joint height h [mm] | Load bearing capacity [kN] | Load bearing capacity [kN] | Load bearing capacity [kN] | Load bearing capacity solid plastic tyres [kg/mm] |
|-----------------------|--|--|--------------------------------|------------------------------------|-----------------------------|-------------------------------|-------------------------------|-------------------------------|---|
| ESF 37/25 AL | 25 | 10 (± 5) | 37 | 145 | 25 | | 600 | 130 | 8 |
| ESF 37/30 AL | 25 | 10 (± 5) | 37 | 145 | 31 | | 600 | 130 | 8 |
| ESF 37/35 AL | 25 | 10 (± 5) | 37 | 145 | 36 | | 600 | 130 | 8 |
| ESF 37/40 AL | 25 | 10 (± 5) | 37 | 145 | 40 | | 600 | 130 | 8 |
| ESF 37/55 AL | 25 | 10 (± 5) | 37 | 145 | 55 | | 600 | 130 | 8 |

All information on load bearing capacity does only apply to non-floating floors.
Larger installation heights on request.

Production length: 4 m

