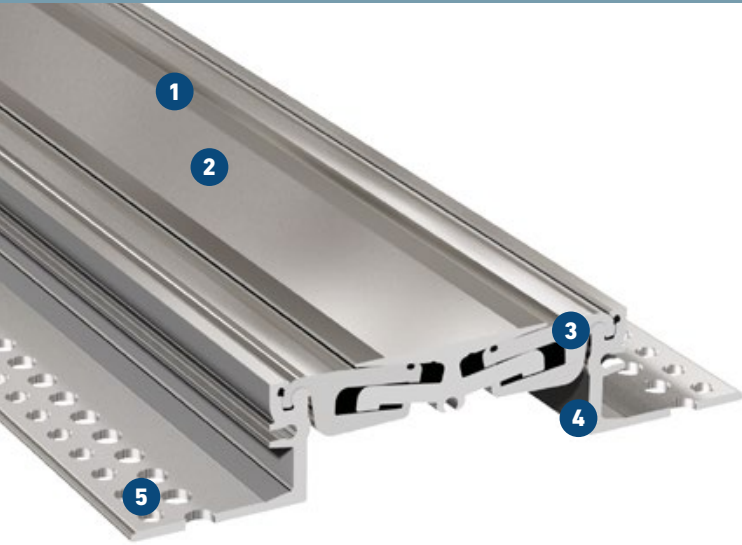


FS 155

FOR HEAVY DUTY FLOORS

MIGUTRANS

HEAVY-DUTY ALL-METAL JOINT SOLUTIONS FOR LARGE TRAFFIC LOADS



- 1** **Symmetrical visible surface has no gaps**
avoids dirt accumulation
- 2** **Striated surface**
ensures good skid resistance
- 3** **Articulated telescoping system**
absorbs movement in 3 directions
- 4** **Solid all-metal expansion joint**
hard wearing, maintenance-free, long lasting
- 5** **MultiHole mounting bracket**
for secure fixing

Expansion joint cover	Joint width max.	Total movement	Visible width	Joint width total	Joint height	Load bearing capacity	Load bearing capacity	Load bearing capacity
	b_f [mm]	Δb_f [mm]	b_s [mm]	b_t [mm]	h [mm]	[kN]	[kN]	solid plastic tyres [kg/mm]
FS 155/22*	120	40(±20)	155	271	22	600	130	15
FS 155/30	120	40(±20)	155	271	30	600	130	15
FS 155/42	120	40(±20)	157	273	42	600	130	15
FS 155/52	120	40(±20)	157	273	52	600	130	15
FS 155/62	120	40(±20)	157	273	62	600	130	15

* Minimum joint width 120 mm

Production length: 4 m

Standard colour: Aluminium

Larger installation heights on request.

