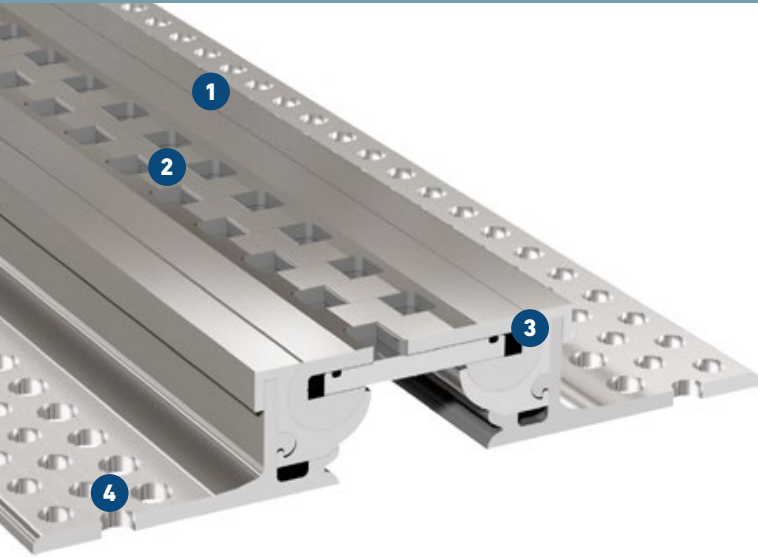


# FS 100

HEAVY DUTY EXPANSION JOINT FOR TRANSPORT FREE FROM VIBRATION

# MIGUTRANS

HEAVY-DUTY ALL-METAL JOINT SOLUTIONS FOR LARGE TRAFFIC LOADS



- 1 Solid all-metal expansion joint**  
hard wearing, maintenance-free, long lasting
- 2 Transportation free from vibration**  
suitable for transport of sensitive goods
- 3 Articulated telescoping system**  
absorbs movement in 3 directions
- 4 MultiHole mounting bracket**  
for secure fixing

**Official test certificate on load capacity available**

Expansion joint cover	Joint width max.	Total movement	Visible width	Joint width total	Joint height	Load bearing capacity	Load bearing capacity	Load bearing capacity
	$b_f$ [mm]	$\Delta b_f$ [mm]	$b_s$ [mm]	$b_t$ [mm]	$h$ [mm]	[kN]	[kN]	solid plastic tyres [kg/mm]
FS 100/30	50	20 ( $\pm 10$ )	102	236	30	300	75	9
FS 100/40	50	20 ( $\pm 10$ )	102	236	40	300	75	9
FS 100/50	50	20 ( $\pm 10$ )	102	236	50	300	75	9

**Production length:** 4 m

**Standard colour:** Aluminium

